

Meaco 25L Low Energy Dehumidryer



INSTRUCTION MANUAL [EN]

25L

SAFETY INFORMATION

ATTENTION

This dehumidifier must not be used in rooms under the following conditions:

- Potentially explosive atmosphere
- Aggressive atmospheres
- Featuring a high concentration of solvents
- An extremely high ratio of dust

Keep Children Away: Do not allow children to play with or around this unit, which could result in injury. Be sure the unit is inaccessible to children when not attended.

Keep Unit Grounded: Always operate the unit with a grounding plug and a grounded electrical outlet. A grounding plug is an essential safety feature that helps reduce the risk of shock or fire.

Protect Power Cord from Damage: Never operate a unit with a damaged power cord, as this may lead to electrical or fire hazards. If the power supply cord is damaged, it must be replaced by a cord of the same type and amperage rating.

Extension Cords: Extension cords must be grounded and able to deliver the appropriate voltage to the unit.

Handle with Care: Do not drop, throw or crash the dehumidifier. Rough treatment can damage the components or wiring and create a hazardous condition.

Run on Stable Surface: Always operate the unit on a stable, level surface, for example the floor or a strong counter, so that the dehumidifier cannot fall and cause injury. Do not use on a metal floor.

Keep Out of Water: Never operate the unit in pooled or standing water, as this may create a risk of injury from electrical shock. Do not store or operate outdoors. If electrical wiring or components become wet, thoroughly dry them before using the unit. If in doubt do not use the dehumidifier and consult a qualified electrician or a Meaco approved engineer.

Keep Air Intakes Clear: Do not clog or block the air intakes by placing the dehumidifier too close to curtains, walls or anything that will restrict the air inlet. This may cause the unit to overheat and result in a fire or electrical hazard.

Keep Filter Clean: Always use a clean air filter. Do not allow any material to clog the filter, as this may cause the dehumidifier to overheat. Never use without a filter. Always check, and if necessary, clean the filter before switching the dehumidifier on. Do not allow oil, grease, or other contaminants to be drawn into the dehumidifier. Do not clean the dehumidifier with organic solvents.

Keep Electrical Components Dry: Never allow water inside the dehumidifier's electrical components. If these areas become wet for any reason, thoroughly dry them before using the dehumidifier. If in doubt do not use the dehumidifier and consult a qualified electrician or a Meaco approved engineer.

The operator must make the operating instruction available for the user and make sure that the user does understand the manual.

Wiring Instructions: Should it be necessary to change the plug please note the wires in the mains lead are coloured in accordance with the following code:

BLUE - NEUTRAL
BROWN - LIVE
GREEN AND YELLOW – EARTH

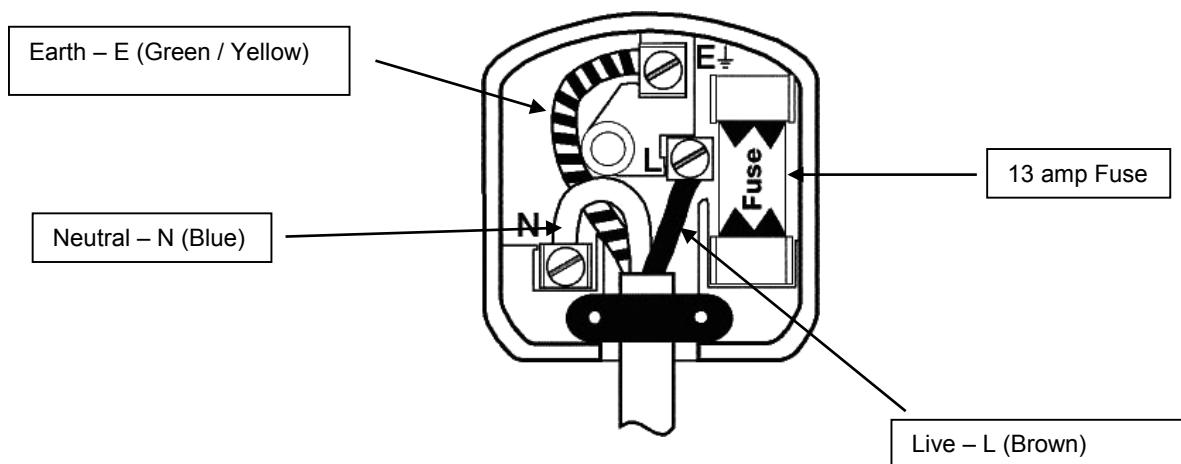
As the colours of the wires in the mains lead of this appliance may not correspond with the coloured markings identifying the terminals in your plug, proceed as follows:

1. The **BLUE** wire is the **NEUTRAL** and must be connected to the terminal which is marked with the letter **N** or coloured **BLACK**.
2. The **BROWN** wire is the **LIVE** and must be connected to the terminal which is marked with the letter **L** or coloured **RED**.
3. The **GREEN/YELLOW** is the **EARTH** and must be connected to the terminal which is marked with the letter **E** or coloured **GREEN OR GREEN/YELLOW**.
4. Always ensure that the cord grip is positioned and fastened correctly.

If a 13A (BS1363) fused plug is used it must be fitted with a 13A fuse. If in doubt consult a qualified electrician.

Wiring for a 13Amp Plug (BS1363)

Please note. The Earth Terminal is marked with the letter **E** or Earth Symbol .



1. GENERAL ADVICE

Before putting your dehumidifier into operation for the first time, the instruction manual should be studied carefully.

After receiving the unit, you should check your dehumidifier for any transport damage. In case of damage, you should inform the sender immediately.

Keep the packaging for the dehumidifier in a safe place in order to be able to despatch the dehumidifier safely if it requires a service. In order to save space, you can simply cut through the adhesive tape using a knife and fold up the cardboard box.

2. DEHUMIDIFIER PRINCIPLES

This dehumidifier is designed to reduce humidity from the air in a building or part of a building. The purpose is to help dry laundry, prevent condensation, mould, musty air and other issues associated with high relative humidity.

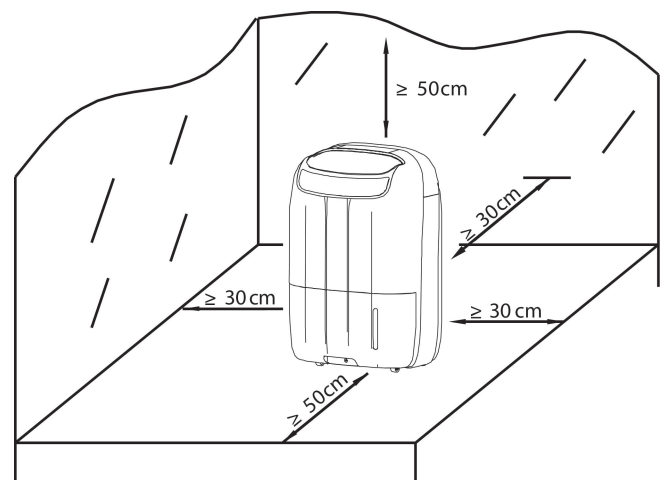
The time necessary for the dehumidifier to dry a room and reach the desired relative humidity depends on the environmental conditions prevailing within the room. For example the number of air changes with outside, any sources of moisture and the room temperature can all either speed up or slow down the dehumidification process.

The dehumidifier functions according to the condensation principle with heat recovery. The fan takes the humid air from the room in and across a filter and then through an evaporator. Here the air is cooled below dew point so that the water vapour of the air forms a condensate on the coils which flows into the internal container ready to be poured away. The cooled and dried air is heated again by a condenser. By recycling the room air through the dehumidifier over and over again the moisture content and relative humidity of the air is reduced.

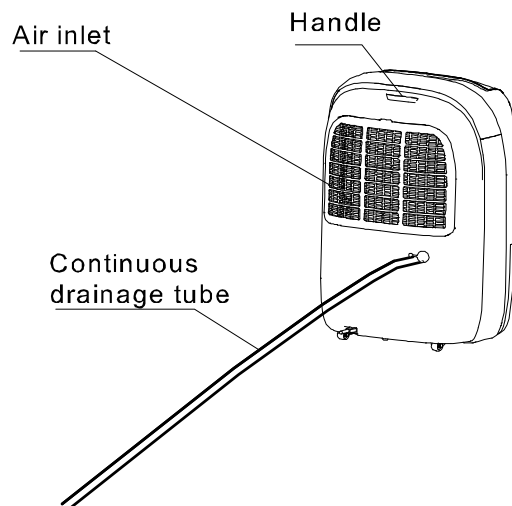
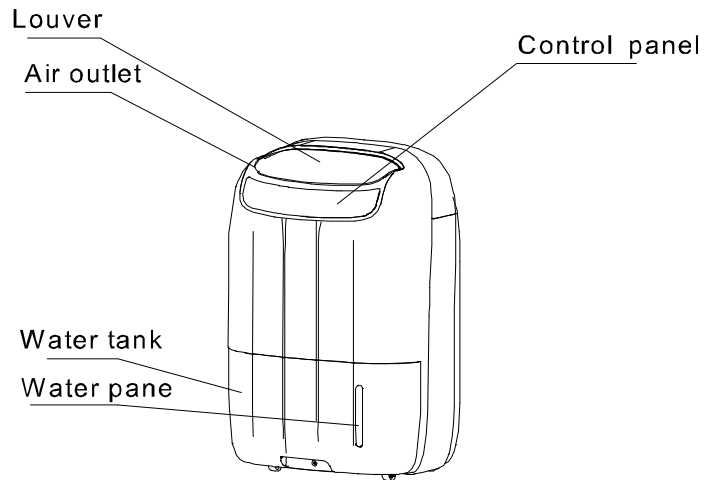
3. INSTALLATION AND TRANSPORTATION

For installation and transportation, the following instructions must be considered:

- ⇒ The air inlet and the air outlet must not be covered whilst the dehumidifier is in operation.
- ⇒ Before any moving the dehumidifier it must be switched off by its ON-OFF switch. The mains plug is to be removed from the socket and the water tank should be emptied.
- ⇒ For transportation the dehumidifier should be secured on a level base only and must be prevented from rolling around.
- ⇒ The dehumidifier must always be transported vertically.
- ⇒ This dehumidifier must be used exclusively for air dry.
- ⇒ If the dehumidifier has been in a horizontal position for any time over a few minutes, you must let it stand in the upright position for at least 30 minutes before operating. This allows the oil to drain back into the compressor.



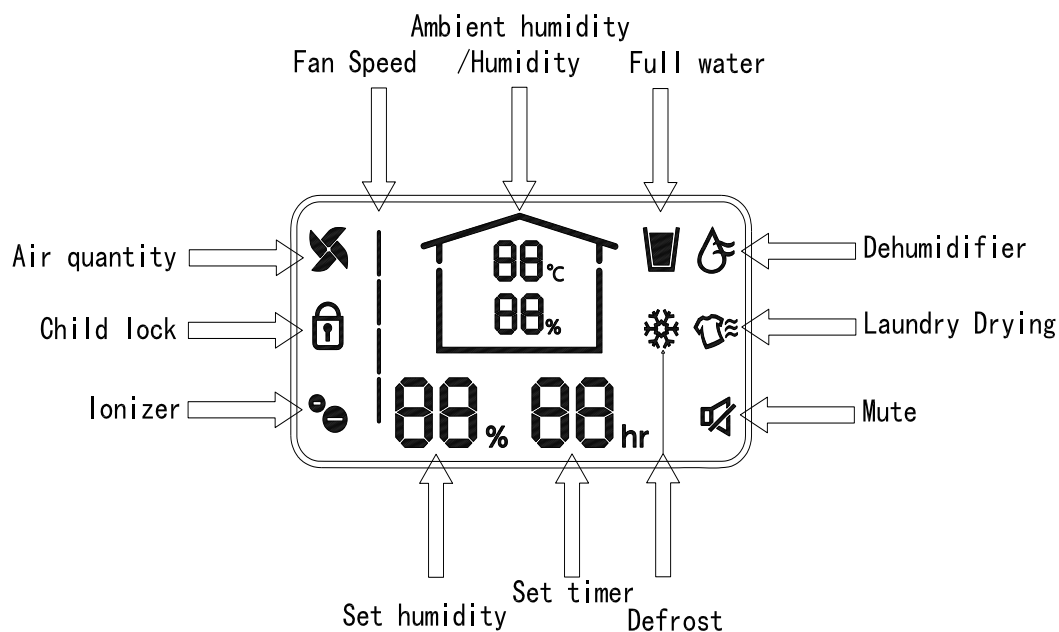
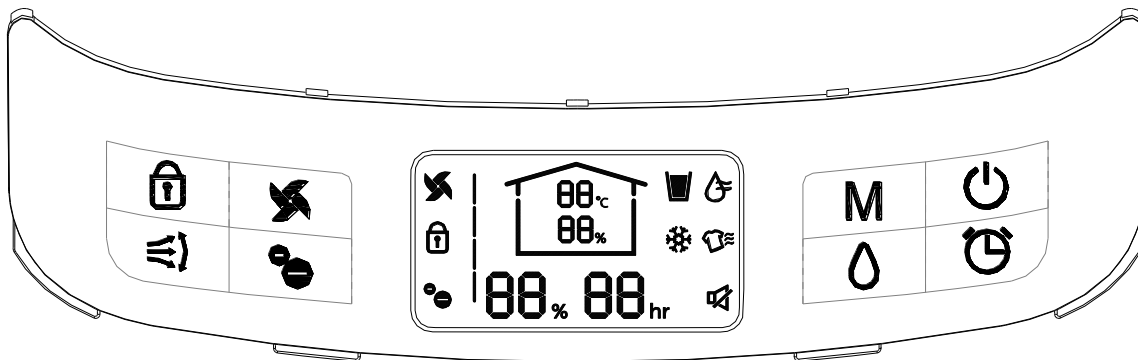
4. PRODUCT IDENTIFICATION




5. CONTINUOUS DRAINAGE

This dehumidifier contains an internal tank that will collect the water, when this is full the dehumidifier will switch itself off. If you wish to drain the water away continuously then you can attached a 12mm diameter hose to the outlet on the rear of the dehumidifier as per the above photo. Please ensure that the hose runs downwards and does not have any kinks or blockages.


6. CONTROL PANEL



⇒ Turning the dehumidifier On or Off


	<p>When you plug the dehumidifier in it will bleep but the display will remain blank. Press the On/Off button to turn the dehumidifier on or off.</p>
---	---

⇒ Mode

	<p>Pressing the Mode buttons toggles through the different available drying modes in this order;</p> <ul style="list-style-type: none"> Humidistat mode Laundry mode Quiet mode Auto mode
---	---

The Modes

⇒ Humidistat – use to set a target relative humidity

When in Humidistat mode indicated by this symbol  you can press this button to select a target relative humidity of between 30 and 80%rh in 5%rh steps. Our recommended figure for the home would be 55%rh. There is also the option of CO which stands for continuous and means that the machine will not stop at a particular relative humidity but will continue to dry regardless of the room relative humidity.

⇒ Laundry – use to help dry laundry or anything else that needs to be dried quickly

In Laundry mode the laundry symbol appears along with CO. The fan speed will increase to the highest fourth fan speed (only available in Laundry Mode). Having this higher fan speed is key to drying things faster. We recommend also activating the swing louvre mode to help move the air across the item to be dried.

When drying laundry make sure that water cannot drip onto the dehumidifier as this could be dangerous.

⇒ Quiet – use to control the noise level of the dehumidifier

In Quiet mode the dehumidifier drops to low fan speed to reduce the noise coming from the dehumidifier and stops beeping.


⇒ Auto – ultimate control of the room relative humidity

Auto mode uses the unique MeacoEasyRH Control program whereby you can press just one button and the dehumidifier will automatically maintain an optimum relative humidity for you in your room as follows;


When the relative humidity reaches 45%rh the compressor is turned off but the fan stays on in low mode.
 50 to 55%rh the compressor is on and fan speed is low.
 55 to 65%rh the compressor is turned on and the fan reverts to speed two.
 Above 65%rh the compressor is on and the fan is on high.

Other settings

⇒ Off Timer

	<p>Acts as a countdown timer should you only wish to runs the machine for a set number of hours and then have it turn off. Works between 1 and 12 hours. This is not a daily run timer and needs to be set each time you wish to use it.</p>
---	--

⇒ Fan Speed

	<p>Allows you to select one of three fan speeds whilst in humidistat mode only.</p>
---	---

⇒ **Child lock**

Press for three seconds to activate the child lock. This stops the functions of the dehumidifier from being changed. You cannot turn the dehumidifier off whilst child lock is activated.

Press again for another three seconds to deactivate.

⇒ **Louvre Swing**

Press the button to turn the swing mode on or off. When you are trying to dry something like laundry or a wardrobe then having the air moving across the surface to be dried will speed up the drying time. You will hear the sound of the air coming out of the dehumidifier change as the louvre moves – this is normal.

⇒ **Ioniser**

Press to turn the ioniser on or off.

⇒ **Bucket full, time to empty the dehumidifier**

When the water collection tank is full the dehumidifier will bleeper will sound and the dehumidifier will turn off. Once you have emptied and refitted the tank then the dehumidifier will start to work again as per his previous settings.

⇒ **Memory Function**

When the dehumidifier is turned off whether by the Power button or via a power cut it will turn back on in the same settings as you left it in.

If you wish to reset the dehumidifier to factory default then turn it off using the power button, unplug it from the mains, plug it back in and then turn it on.

⇒ **Energy Consumption**

This dehumidifier uses a DC Motor which is fairly unique for a domestic dehumidifier. One of the big advantages of a DC Motor is that the harder you work it the more efficient it becomes. This is why when you use the dehumidifier in Laundry Mode it collects more water for you faster and it uses less energy.

7. DRYING LAUNDRY

One of the big advantages of this dehumidifier is its ability to help you dry your laundry faster. This is thanks to its large extraction rate, its powerful 4th fan speed, the swing louvre and its low running costs in Laundry Mode.

To dry laundry faster place the laundry and the dehumidifier into as small a room as possible with the doors and windows closed so that there is less air to dry. Position the dehumidifier so that its dry air can hit as large an area of washing as possible and position the clothes so that the air can circulate around them. If possible use a pedestal fan to speed up the airflow and push more dry air across more of the washing.

Some warmth in the room will help as well.

8. AUTOMATIC DEFROSTING SYSTEM

This dehumidifier is equipped with an automatic hot-gas defrosting system. When operating in low temperatures the surface of the evaporator will accumulate frost and this will affect the efficiency of the dehumidifier. When this happens the machine will go into periodic defrosting automatically. Defrost time may vary. It is not recommended to use the dehumidifier in temperatures below 5°C

9. ELECTRICAL CONNECTIONS

This dehumidifier was designed to operate in a 230V~50Hz electrical installation. Make sure that the electric sockets are connected to earth and that all safety precautions are taken.

10. OPERATING CONDITIONS

This dehumidifier can be operated within an ambient temperature range from +5°C to +35°C and with a relative humidity from 30% to 90%rh. It is suitable for applications in domestic situations and in museums and archives.

11. SPECIFICATIONS

Model		Meaco 50Lm
Temperature Range		+5 °C / +35°C
Relative Humidity Range		30% - 90%rh
Rated Voltage		220 - 240V / 50Hz
Air flow		150/170/215/280 cubic metres per hour
Tank Size		5 litres
Power Consumption		330 watts at 30°C & 80%rh 270 watts at 26.7°C & 60%rh
Refrigerant		R134a / 195g
Drying Capacity (L/24H)	26.7°C – 60%rh	13.6 litres in Laundry Mode
	30°C – 80%rh	26.4 litres in Laundry Mode
Dehumidifier Dimensions (mm)		378 x 287 x 644
Box dimensions (mm)		432 x 341 x 692mm
Nett / Gross Weight (Kgs)		15.0/16.4Kgs

12. TROUBLESHOOTING

Trouble	Cause	Solution
Unit does not operate	No power to the unit	Plug in the unit; check power at outlet
	Switch not turned ON	Turn ON the switch
Doesn't dehumidify or collects little water	Ambient temperature is lower than +5°C (C2 appears on the display and you will hear 3 long bleeps and 2 short bleeps)	Under this condition the dehumidifier becomes inefficient. It is recommended to switch off the dehumidifier.
	Ambient temperature exceeds 35°C (C2 appears on the display and you will hear 3 long bleeps and 2 short bleeps)	Under this condition the compressor is overloaded and switches off automatically. It is recommended to switch off the dehumidifier.
	The ambient air humidity is lower than 45%rh	Under this condition the dehumidifier becomes inefficient and little water will be collected.
	The air filter is dirty and blocked	The air filter must be exchanged
	Below the relative humidity set point	This is normal and is not a fault.
Compressor is not on	The dehumidifier has just turned on	Wait 3 minutes for the compressor to start up.
	Unit is in defrost mode, defrost symbol appears on the display,	This is normal and is not a fault.
The fan is not running	Relative humidity is below the set point	This is normal and is not a fault.
	Fan not running	Contact a Meaco approved workshop.
	The room temperature is lower than +5°C	Assure that the device is only set up in rooms with temperatures above +5°C.
Unit does not defrost	Conditions are below +5°C	Move the dehumidifier to a warmer space.
	Defective bypass relay valve	Contact a Meaco approved workshop.
Unit bleeps ten times	Water tank is full	Empty the water tank.
Buttons do not work	C2 flashes on the display & shows 0°C and 0%rh	Contact a Meaco approved workshop

13. MAINTENANCE

Always turn off the power and disconnect the main cable before performing maintenance procedures. All service procedures below are to **be executed with the unit unplugged**. Perform before each use or as needed.

INSPECT ELECTRICAL SYSTEM: Inspect the electrical cord for damage at regular intervals.

The working performance of the dehumidifier will be greatly reduced if the filter is blocked with dust. Check the filter at least weekly. Cleaning or replace the filter if it gets clogged.

1. Remove the filter.
2. Vacuum any debris from the filter.
3. Using lukewarm water and a mild detergent wash the filter and allow to dry.
4. Once dry, re-install the filter into the dehumidifier.

14. STORAGE

Follow the guidelines below when storing the unit:

1. Unplug the dehumidifier.
2. Prior to storing the unit, clean the filter and drain the water from the unit.
3. Protect from dust and strong sunlight during storage.

15. WARRANTY AND CUSTOMER SERVICE

There is a two year warranty on your dehumidifier from the date of purchase.

All material or manufacturing defects will be repaired free of charge.

The following applies:

- Any repairs or replacement of components during the warranty period will not result in an extension of the warranty period.
- The warranty will expire if any alterations have been made, not genuine components have been fitted or if the dehumidifier has been repaired by a third party.
- Components subject to normal wear and tear, such as the air filter, are not covered by the warranty.
- The warranty is only valid on presentation of the original, unaltered, and date-stamped purchase receipt.
- The warranty does not cover damage caused by actions that deviate from those as described in the user's manual or by neglect.
- The warranty does not cover faults caused by dirt of third party products.
- The warranty does not cover accidental damage.
- All claims for compensation, including consequential damage, will not be entertained.

To prevent unnecessary expenses, we recommend that you always carefully read the user's manual first. If this does not provide a solution, call Meaco and we will be happy to help.

This appliance is not intended for use by person (including children) with reduced physical, sensory or mental capabilities, or lack of experience and knowledge, unless they have been given supervision or instruction concerning use of the appliance by a person responsible for their safety.

Children should be supervised to ensure that they do not play with the appliance.

This dehumidifier has been imported into the U.K. by;

Meaco (U.K.) Limited
Meaco House
Parklands
Railton Road
Guildford
GU2 9JX

Telephone: 01483 234900
Email: sales@meaco.com
Website: www.meaco.com
Fax: 01483 232700

Please record, for future reference, your date of purchase and where you bought the dehumidifier from here.

Date of purchase.....

Purchased from www.meaco.com (if not then please record the supplier's name below).

.....

Meaco are specialists in dehumidifiers and would welcome your comments and questions on this dehumidifier. If you do develop a fault within the first year then please do call us and if we cannot fix the problem over the phone we will be happy to collect the dehumidifier from you at our expense and repair or replace as appropriate.

Please save the box just in case this happens.